



- Single, dual and multi-coloured models available
- Ultra bright latest generation LED's
- 11 – 30 volt operation
- Low current draw (2.2 amps max on 12v system)
- 6 flash patterns
- UV stabilised lenses
- Single bolt, magnetic & suction mount options
- ECE R65 approved & DEKRA speed rated
- Light weight design
- CAP168/ICAO Airport flash
- Dim mode (night and day)
- Synchronisation with Redtronic Products
- Cruise feature
- IP66 Dust and Water Resistant
- 2 year warranty
- Manufactured in the United Kingdom

Description

The Redtronic Bullitt Microbar is available in single, dual or multi-colour models with a variety of additional options. The Bullitt Microbar is primarily designed for mag mount and single bolt fixing methods and is DEKRA speed rated up to 153mph.

UK options - Single colour Bullitt Microbars can include 'front takedowns' (front facing flashing white lights) as well as 'rear reds' (rear facing red lights) which can all be controlled via a multi-function cigarette plug.

European/International options - The dual colour model can be manufactured in any 2 colours (amber, blue, red, green and white). The multi coloured model allows the user to cycle through 10 different colours.

Part Numbers, Colour and Flash pattern

ORDER CODE	DIMENSIONS (LWD)	FIXING	COLOUR	LED COLOUR		FLASH PATTERN	TOP COLOUR	LEDS
MB24SBBC	255mm x 179mm x 47mm	SINGLE BOLT	SINGLE	BLUE		LEFT/RIGHT	CLEAR	24
MB24MGBC	255mm x 179mm x 55mm	MAG	SINGLE	BLUE		LEFT/RIGHT	CLEAR	24
MB24SCBC	255mm x 179mm x 92mm	SUCTION	SINGLE	BLUE		LEFT/RIGHT	CLEAR	24
MB24SBAC	255mm x 179mm x 47mm	SINGLE BOLT	SINGLE	AMBER		LEFT/RIGHT	CLEAR	24
MB24MGAC	255mm x 179mm x 55mm	MAG	SINGLE	AMBER		LEFT/RIGHT	CLEAR	24
MB24SCAC	255mm x 179mm x 92mm	SUCTION	SINGLE	AMBER		LEFT/RIGHT	CLEAR	24
MB48SBBAC	255mm x 179mm x 47mm	SINGLE BOLT	DUAL	BLUE	AMBER	FULL	CLEAR	72
MB48MGBAC	255mm x 179mm x 55mm	MAG	DUAL	BLUE	AMBER	FULL	CLEAR	72
MB48SCBAC	255mm x 179mm x 92mm	SUCTION	DUAL	BLUE	AMBER	FULL	CLEAR	72
MB72SB	255mm x 179mm x 47mm	SINGLE BOLT	MULTI	MULTI		FULL	CLEAR	72
MB72MG	255mm x 179mm x 55mm	MAG	MULTI	MULTI		FULL	CLEAR	72
MB72SC	255mm x 179mm x 92mm	SUCTION	MULTI	MULTI		FULL	CLEAR	72

Not found what you're looking for? Redtronic manufactures this product in blue, amber, red, green & white in single or dual colour options with blue, amber or clear lenses. Contact us to identify which part number you will require.

Technical Information

Dimensions	255mm x 179mm x 55mm (including magnets)
Voltage	11 – 30v
Light Output	400 lumens (Amber) // 270 lumens (Blue)
Weight	1.7kg (including magnets)
'All on' - Current Draw (12v)	2.2 amps
Speed Test	DEKRA 153mph
Warranty	2 years

LED Module Flash Pattern Sequence - Single Bolt Blue or Amber

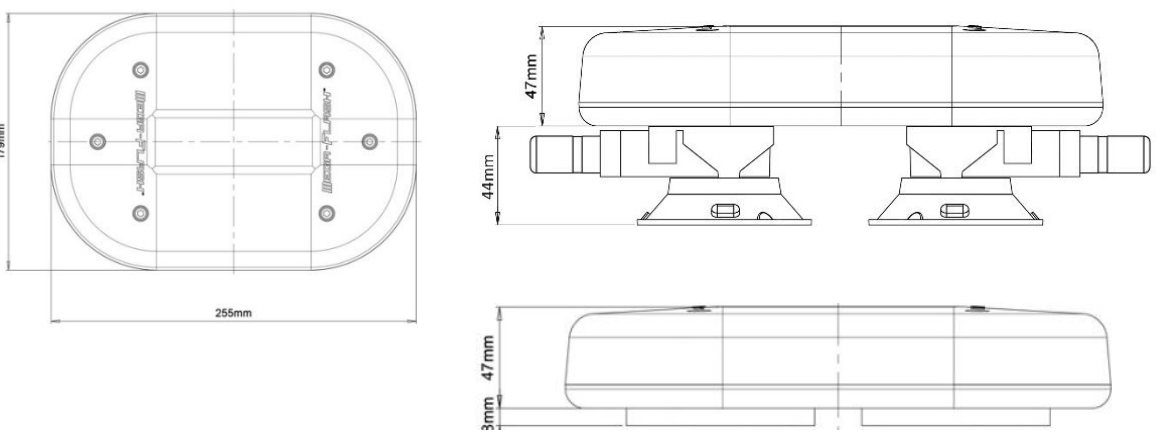
LED Module Flash Pattern Sequence	Output 1
	Green Cable
Mega-Flash	✓
Quad	✓
Triple	✓
Double	✓
Single	✓
Hyper	✓

LED Module Flash Pattern Sequence - Single Bolt Red, Green, Dual or Multi colour

LED Module Flash Pattern Sequence	Output 1	Output 2
	Red Cable	Green Cable
Mega-Flash	✓	✓
Quad	✓	✓
Triple	✓	✓
Double	✓	✓
Single	✓	✓
Hyper	✓	✓
Quad (Slow)	✓	✓
Triple (Slow)	✓	✓
Double (Slow)	✓	✓
Single (Slow) CAP168/Airport (60pm)	✓	✓

Dimensions (Including Fixing Options)

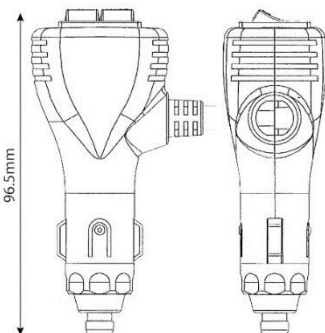
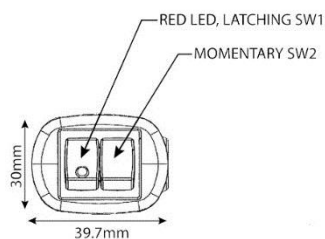
Fixing Method	Height
Single Bolt	73mm
Mag Mount	55mm
Suction Mount	92mm



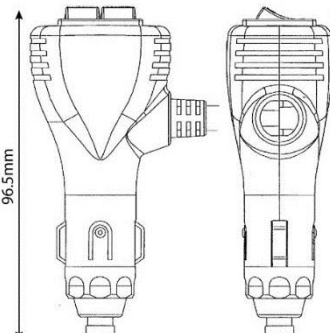
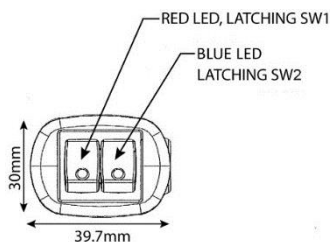
Example Standard Cig Plug Configurations

Depending upon specification, the microbar will be supplied with either of the following cigarette plugs.

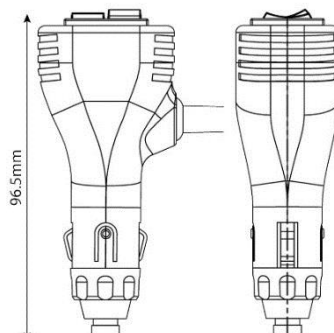
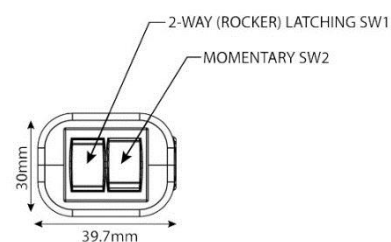
Latching / Momentary
Part Code: EM173CDG



Latching / Latching
Part Code: EM173CDG2



2-Way Latching Rocker Switch / Momentary
Part Code: EM173CDG3



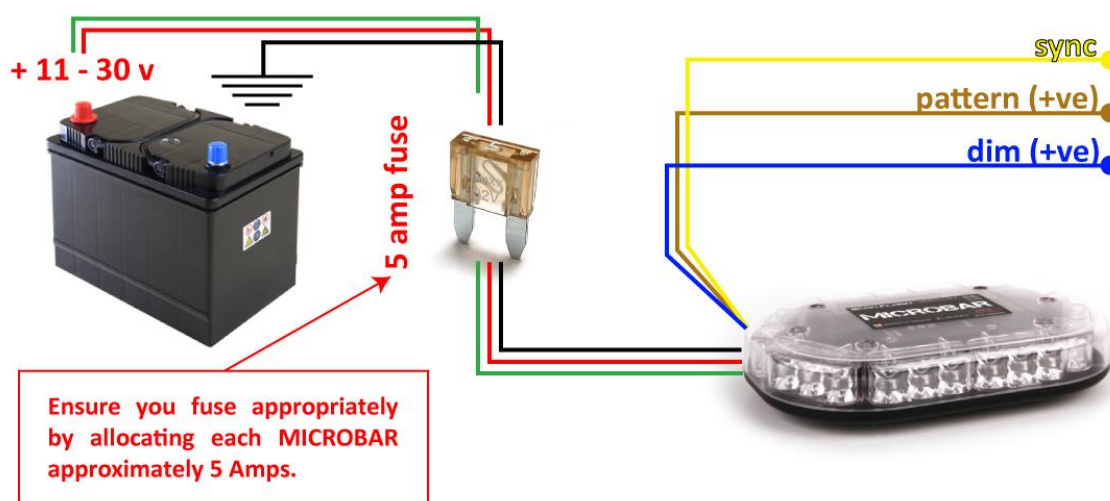
Cable Functions - single bolt blue or amber microbar

Function	Cable Colour	Description
Standby Power +Ve	Red	Microbar is in Standby mode
Ground -Ve	Black	0v ground / earth
Power 360 colour 1	Green	Flashes the LEDs
Pattern +Ve	Dark Brown	Pattern select
Dim +Ve	Blue	Light output reduces to 25% brightness
Synchronisation	Yellow	Link to other mega-flash products
Spare	Grey	Spare
Spare	Orange	Spare
Spare	Purple	Spare
Spare	White	Spare

Cable Functions – Single Bolt Red, Green, Dual or Multi colour

Function	Cable Colour	Description
Standby Power +Ve	Red	Microbar Flashes Primary LED colours
Ground -Ve	Black	0v ground / earth
Power 360 colour 1	Green	Microbar Flashes Secondary LED colours
Pattern +Ve	Dark Brown	Pattern select
Dim +Ve	Blue	Light output reduces to 25% brightness
Synchronisation	Yellow	Link to other mega-flash products

Installation - single bolt microbar



To set the flash pattern:

With the lamp powered on, the **brown wire** should be connected to **positive (+)** terminal from the power source momentarily, to change to the next pattern. Either touch the wire to positive briefly, or connect via a momentary switch and press to change pattern. There are 10 flash patterns (9 flash patterns on Single colour blue or amber Tornado lamps). Holding to +ve for 2 seconds will revert to flash pattern 1.

To set the DIM function:

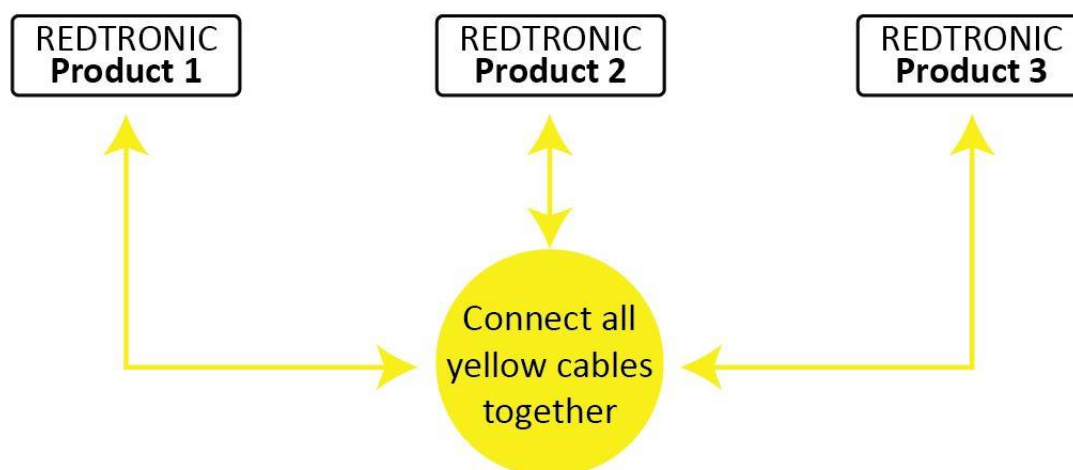
Connect the **blue wire** to **positive (+)** at the power source to enable DIM (night) mode. The blue wire needs a constant connection to (+ve) to operate in this mode. The lamp will return to full brightness when the **blue wire** is disconnected.

To permanently illuminate a lamp:

Connect the **yellow wire** to negative (-) at the power source to enable 'steady burn' mode. The **yellow wire** needs a constant connection to (-) to operate in this mode. The lamp will return to the set flash pattern when the **yellow wire** is disconnected.

To Synchronise lamps:

When the desired flash pattern and mode has been set, connect the **yellow wires** from each lamp together, this will ensure all lamps flash in synchronised format.



DO NOT APPLY YELLOW CABLES TO +VE (POSITIVE)
DO NOT ATTEMPT TO SYNC REDTRONIC LIGHTS WITH ANY OTHER MANUFACTURERS PRODUCTS

Ensure IP67 rated connectors are used to terminate all wiring. Failure to do so may invalidate the product warranty.

Associated Datasheets

- Suction cup maintenance
- ECE R65 approval
- DEKRA speed approval