



SW3 Economy Switch Panel – Datasheet



- 3-Way switch panel
- Durable ABS enclosure
- 15 amp LED switches
- 14 amp max per switch panel
- Switches illuminate upon selection
- 2 x latching & 1 x momentary switch (Standard)
- 12 volt
- IP5 seal
- 2 year warranty
- EMC/R10 compliant
- Manufactured in the United Kingdom





SW3 Economy Switch Panel – Datasheet

Description

The Redtronic™ SW3 switch panel is a low-cost switching solution ideal for users wanting simplified controls. Typical users would most likely control the lightbar, auxiliary lamps and pattern select feature via the SW3.

The maximum current of each switch is 10 amps and the overall maximum current draw is limited to 14 amps (excluding the use of relays)

The Redtronic™ SW3 can be secured via 2 screw points located at either side however, installers might prefer to fit via adhesive pad or Velcro positioned on the rear of the switch panel and cab dash (adhesive pad and velcro not included).

Part number

ORDER CODE	NUMBER OF SWITCHES	SWITCH FUNCTION	SWITCH DECAL/LABEL	SWITCH COLOUR
SW3LLM	3	1. LATCHING 2. LATCHING 3. MOMENTARY	1. LIGHTBAR 2. AUX 3. PATTERN	1. AMBER 2. RED 3. NONE

Technical Information

Dimensions L x W x D (simplified)	110mm x 62mm x 28mm
Voltage	12v – 24v
Fixing Method	2 x 5mm screws (alternative solutions include adhesive pads and/or Velcro – not included in kit)
Length of cable supplied	1 m (standard)
Warranty	1 year
Manufacturer	Redtronic (UK)

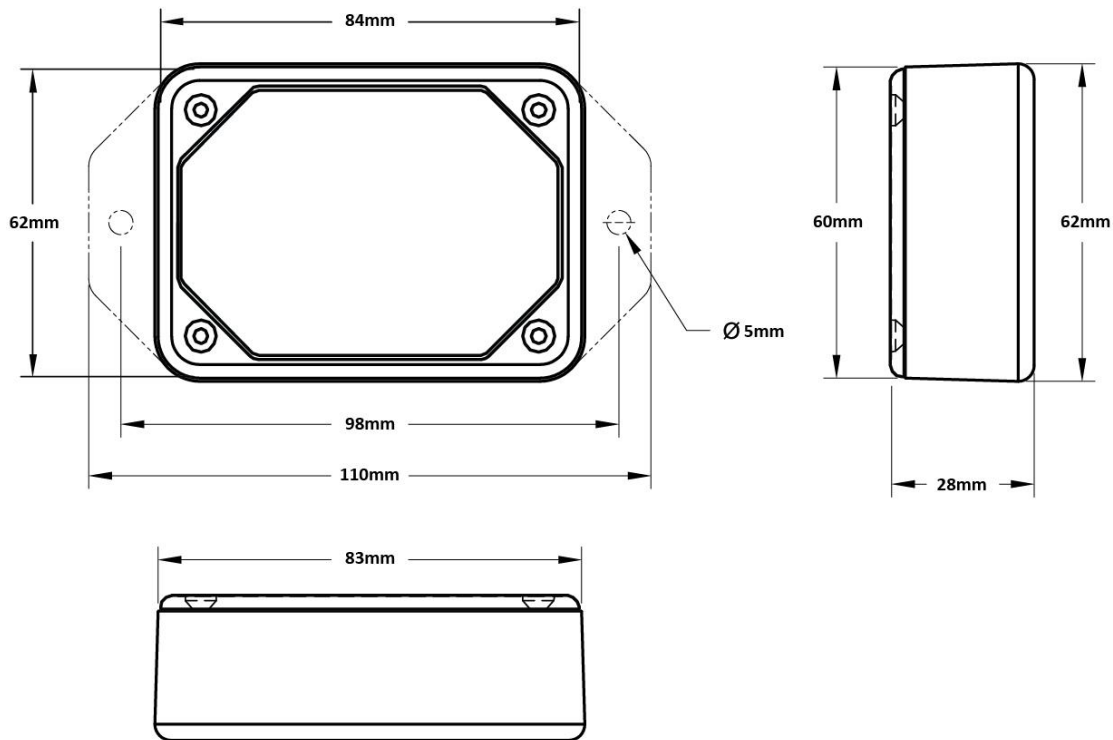
Cable Functions

Function	Cable Colour	Description
All switches power	Red	Provides power to all switches
Ground -Ve	White	0v ground / earth (14 amp max)
Switch 1 (Lightbar)	Yellow (Yellow switch)	10 amp latching switch
Switch 2 (Aux)	Green (Red switch)	10 amp latching switch
Switch 3 (Pattern)	Brown (Blank switch)	10 amp momentary switch





Dimensions



LED Function

Please Note: The SW3 is not 'back-lit' when in off mode. The LED's only illuminate when triggered.

