

6

5

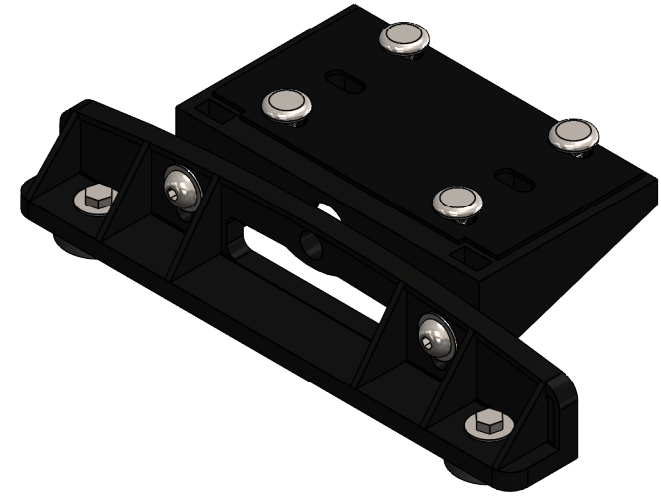
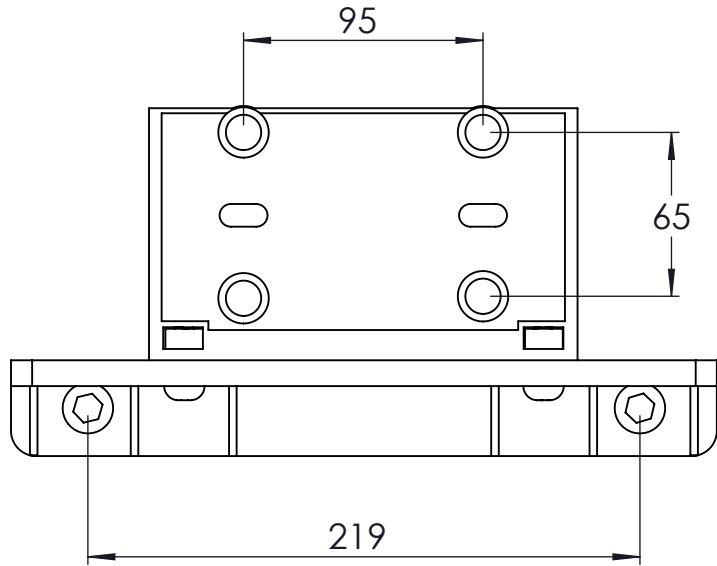
4

3

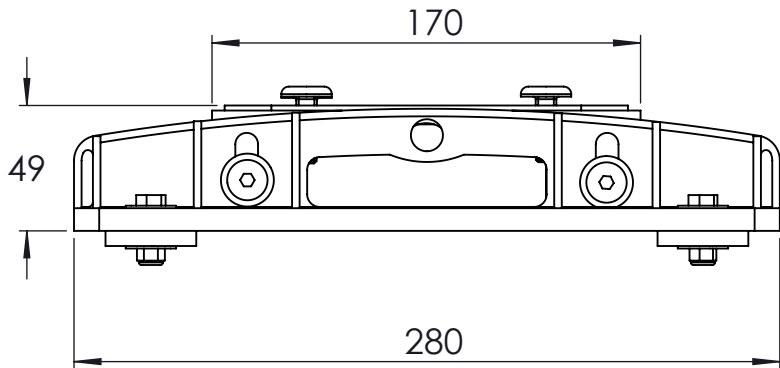
2

1

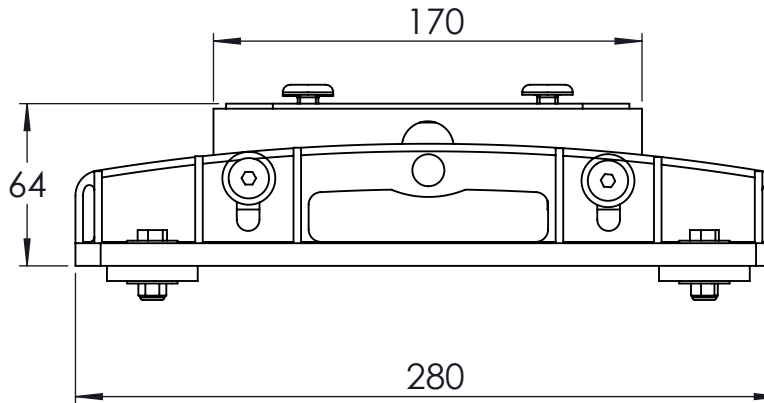
### TOP VIEW



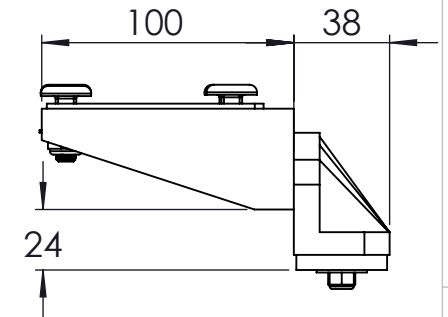
### FRONT VIEW LOW



### FRONT VIEW HIGH



### SIDE VIEW



THIS DRAWING IS CONFIDENTIAL AND IS THE EXCLUSIVE PROPERTY OF REDTRONIC LTD.  
NO UNAUTHORISED USE, COPY OR DISCLOSURE OF THE DRAWING IS TO BE MADE AND IT IS TO BE RETURNED WHENEVER REQUIRED.

PROJECTION



SCALE 1:5

DRAWN SF

IF IN DOUBT ASK

A4

DATE 06-Nov-12

WEIGHT KG

UNLESS STATED  
DIMENSIONS MM  
TOL. LINEAR ±0.3  
TOL. DIAGONAL ±0.5  
TOL. ANGULAR ±0.5

MATERIAL

FINISH

**REDTRONIC**  
MANUFACTURERS OF EMERGENCY EQUIPMENT

TITLE		
FOOTPACK		
SHEET. 1 OF 1	DWG NO R-xx-xxx	REV

6

5

4

3

2

1